

Electrical Management Products Catalog 2011



www.durandassociates.com
Phone (208) 443-6627

from
Durand & Associates

1-Line Design Software Commercial and Industrial Load Calculations

Code year selectable

2002, 2005, 2008, or 2011

FULL FUNCTION

This is a full function 1-Line calculation program that calculates the size of the main service and subpanels and also prints out a complete 1-Line drawing.

CODE REQUIRED DRAWINGS

Section 215.5 of the NEC requires feeder drawings and load calculations. This program will automatically fulfill this NEC requirement.

EASY DESIGN

Designing an electrical distribution system has never been easier or faster. Simply input the loads for the various panels and the program will do the rest.

AUTO CALCULATION & SIZING

The program will automatically size all panels, transformers, conductors, conduit, and system grounds per NEC requirements.

FAULT CURRENT & VOLTAGE DROP

Many building departments also require both fault current and voltage drop calculations. This program will automatically fulfill this requirement.

PRINTOUTS

The program prints out completed panel schedules, circuit directories, and load calculations. Printouts have been approved by the cities of Los Angeles, New York, Miami, Atlanta, Chicago, San Francisco, and other major metropolitan areas.

AUTOCAD

You may copy any of the printouts and paste them into AutoCAD.

CODE COMPLIANT

Year selectable 2002, 2005, 2008 or 2011.

ORDERING INFORMATION

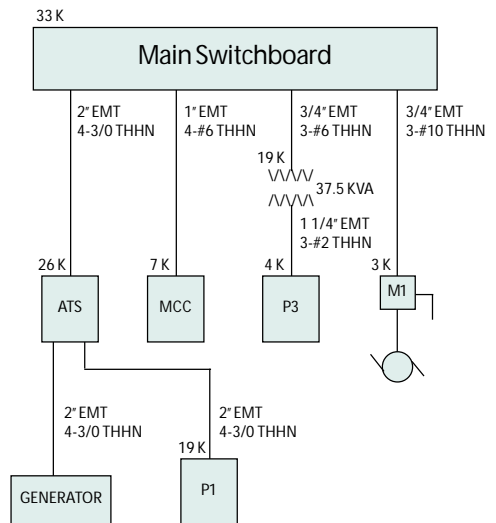
This program is a spreadsheet template program that runs in conjunction with Microsoft Excel for Windows.

* This product may be downloaded at www.durandassociates.com



FEATURES

- 24 - Panels
- 24 - Transformer Panels
- 1-Phase, 3-Phase, 3-Phase Delta
- Voltage Drop Calculations
- Conduit & Cable Sizing
- Ground Sizing
- Neutral Load Calcs
- Code Year Selectable
- Harmonic Load Calculations
- Receptacle Diversity
- Motor Load Calculations
- True Phase Display
- Improved Error Checking
- Auto Transfer Switch
- Generator Sizing
- Motor Control Centers
- Fused Switchboard



1-LINE 2011

1L1U - Upgrade Version for registered users \$ 235

* 1L11 - Full Version for new users \$ 445



Single Family Service Load Calculation Software

Code year selectable
2002, 2005, 2008, or 2011

CODE REQUIRED DRAWINGS

Section 215.5 of the NEC requires feeder drawings and load calculations. These programs will automatically fulfill this NEC requirement.

FULL FUNCTION

These full function residential service calculation programs calculate the size of single family dwelling service in minutes.

Simply answer the multiple choice questions on the screen and the program calculates the minimum service size permitted by the NEC.

Service 2011

FEATURES

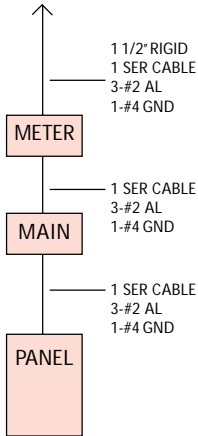
- Based on the Optional Calculation Method
- Complete Load Calculations
- Fault Current Calculation
- Voltage Drop Calculations
- Circuit Directory
- Conduit & Cable Sizing
- Ground Sizing
- Riser Diagram
- Limited to Meter, Main, and 1-Panel

Service Pro 2011

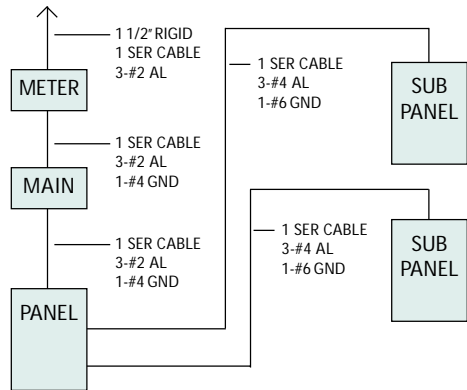
FEATURES

(All the features of Service 2011 plus)

- Standard or Optional Calculation Method
- Up to six (6) Subpanels.
- Swimming Pool Panel Option
- Expanded Riser Diagram



SERVICE 2011 RISER



SERVICE PRO 2011 RISER

ORDERING INFORMATION

These programs are spreadsheet template programs that runs in conjunction with Microsoft Excel for Windows.

* These products may be downloaded at www.durandassociates.com

SERVICE 2011

- S11U - Upgrade Version for registered users \$ 125
- * S11 - Full Version for new users \$ 195

SERVICE PRO 2011

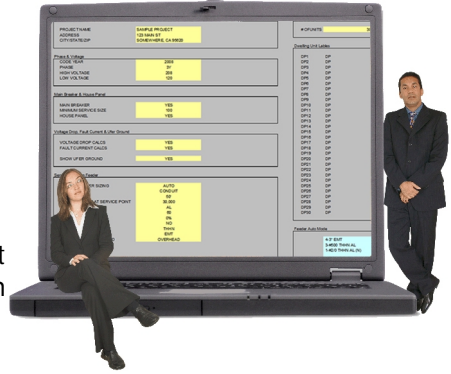
- SP1U - Upgrade Version for registered users \$ 195
- * SP11 - Full Version for new users \$ 295

Residential 1-Line Software Multifamily Dwelling Load Calculations

Code year selectable
2002, 2005, 2008, or 2011

FULL FUNCTION

This is a full function 1-Line calculation program that calculates the size of a multifamily dwelling main service and prints out a 1-Line drawing.



CODE REQUIRED DRAWINGS

Section 215.5 of the NEC requires feeder drawings and load calculations. This program will automatically fulfill this NEC requirement.

EASY DESIGN

Designing a multifamily dwelling electrical distribution system has never been easier or faster. Simply input the loads for the various dwellings and the program will do the rest.

PRINTOUTS

The program prints out a completed 1-Line drawing and load calculations. These printouts have been approved by the all major cities.

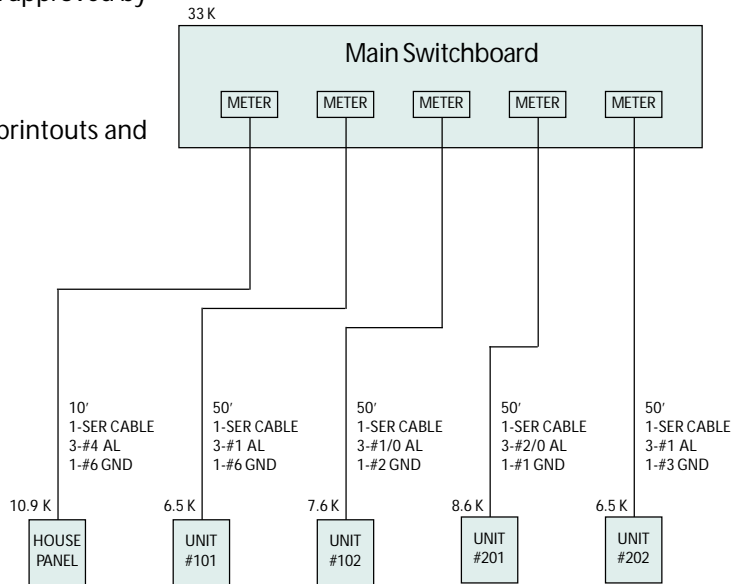
AUTOCAD

You may copy any of the printouts and paste them into AutoCAD.



FEATURES

- Based on the Optional Calculation Method
- Complete Load Calculations
- Fault Current Calculations
- Voltage Drop Calculations
- Circuit Directory
- Conduit & Cable Sizing
- Ground Sizing
- Riser Diagram
- 30 - Dwelling Panels
- 2 - House Panels
- Code Year Selectable
- Conforms to 2011 NEC
- Voltage Drop Adjustment



ORDERING INFORMATION

This program is a spreadsheet template program that runs in conjunction with Microsoft Excel for Windows.

* This product may be downloaded at www.durandassociates.com

RESIDENTIAL 1-LINE 2011

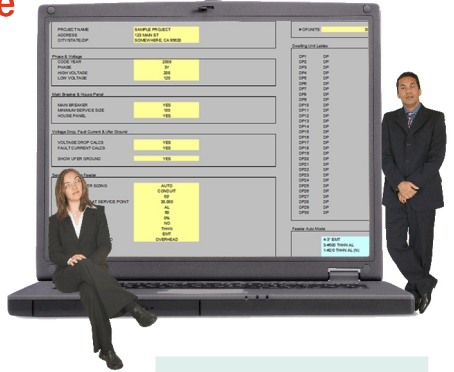
1R1U - Upgrade Version for registered users	\$ 150
* 1R11 - Full Version for new users	\$ 325

Mixed Occupancy 1-Line Software for Residential & Commercial Load Calculations

Code year selectable
2002, 2005, 2008, or 2011

FULL FUNCTION

This is a full function 1-Line calculation program that calculates the size of a mixed occupancy main service and prints out a 1-Line drawing.



Dwelling units.



Commercial units.

FEATURES

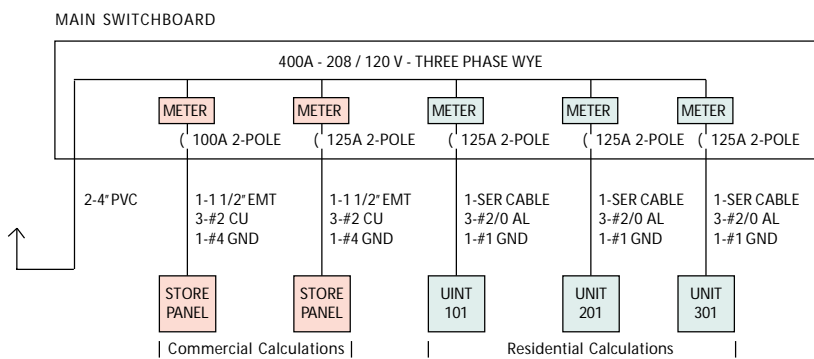
- 30 Dwelling Panels
- 2 House Panels
- 8 Commercial Panels
- Load Calcs
- Fault Current
- Voltage Drop
- Cable Sizing
- Conduit Sizing
- Ground Sizing
- 3-Phase or 1-Phase
- Circuit Directories
- Panel Schedules
- Ground Sizing
- 1-Line Drawing

PRINTOUTS

The program prints out a completed 1-Line drawing and load calculations. These printouts have been approved by the cities of Chicago, Los Angeles, New York, Atlanta, San Francisco, Miami, and other major metropolitan areas.

AUTOCAD

You may copy any of the printouts and paste them into AutoCAD.



ORDERING INFORMATION

This program is a spreadsheet template program that runs in conjunction with Microsoft Excel for Windows.

* This product may be downloaded at www.durandassociates.com

MIXED OCCUPANCY 1-LINE 2011

1M1U - Upgrade Version for registered users	\$ 225
* 1M11 - Full Version for new users	\$ 435

Package Deals

PACKAGE DEALS

Many of our customers have requested package pricing. To better serve our customers we are offering four (4) packaged deals.

SOFTWARE DESIGN PACKAGE #1

Panel 2011	Panel Schedule Software	Page 2	\$ 235
1-Line 2011	Commercial 1-Line Software	Page 3	\$ 445
Service 2011	Single Family Load Calculation	Page 4	\$ 195
Residential 1-Line 2011	Multifamily 1-Line Software	Page 5	\$ 325
TOTAL			\$ 1,200
SAVINGS			\$ 345
* PA1	Software Design Package #1		\$ 855

SOFTWARE DESIGN PACKAGE #2

Panel 2011	Panel Schedule Software	Page 2	\$ 235
1-Line 2011	Commercial 1-Line Software	Page 3	\$ 445
Service Pro 2011	Single Family Load Calculation	Page 4	\$ 295
Mixed Occupancy 1-Line	Mixed Occupancy Software	Page 6	\$ 435
TOTAL			\$ 1,410
SAVINGS			\$ 420
* PA21	Software Design Package #2		\$ 990

SOFTWARE ESTIMATING & DESIGN PACKAGE #3

Double Click	Electrical Estimating Software	Page 8	\$ 895
Panel 2011	Panel Schedule Software	Page 2	\$ 235
1-Line 2011	Commercial 1-Line Software	Page 3	\$ 445
Service Pro 2011	Single Family Load Calculation	Page 4	\$ 295
Mixed Occupancy 1-Line	Mixed Occupancy Software	Page 6	\$ 435
TOTAL			\$ 2,305
SAVINGS			\$ 720
* PA32	Software Estimating & Design Package #3		\$ 1,585

BOOKS PACKAGE #4

Labor Units Manual	Book & CD	Page 10	\$ 145
Design/Build Guide	Book & CD	Page 11	\$ 145
Trade Price Book	Book & 1 Year subscription	Page 14	\$ 275
TOTAL			\$ 565
SAVINGS			\$ 100
BP12	Books Package #4		\$ 465

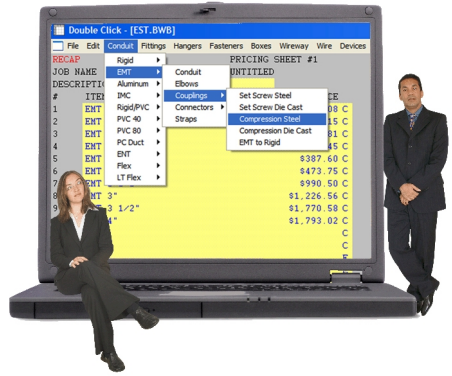
* These products may be downloaded from our web site.

www.durandassociates.com

Double Click Electrical Estimating Software

FEATURES

- Windows Compatible
- Mouse Compatible
- Point and Click Pricing
- 26,000 Part Database
- Price Updates 4 Times/Year
- Free Price Updates (1 Year)
- Unlimited Assemblies
- Unlimited Pricing Sheets
- Permit Cost Worksheet
- Auto Crew Size Calculation
- Average Labor Rate Calculation
- Easy Pulldown Menus
- Free Telephone Support
- Vendor Quotation Worksheets
- NECA Format Pricing Sheets
- Standard Recap Sheet
- List of Outgoing Bids
- Scope of Work
- List of Exclusions
- Proposal Worksheet



STANDARD FORMAT

This entire program is based upon standard pricing sheets commonly used in the industry. Your present familiarity with this format makes this software that much quicker to learn and easier to use. Simply enter the data in the same place you would if you were doing it manually!

ASSEMBLIES

With Double Click, you can estimate all or a portion of the work using assemblies. Any assembly may be changed or modified. Assemblies may be stored on your hard drive so they can be used on the next estimate.

MATERIAL ITEMS

Double Click allows you to estimate electrical work by entering the total material quantities. The program automatically calculates labor and material cost. The user may modify or change any material price or labor unit.

BEST OF BOTH WORLDS

With Double Click, you may estimate work using both the assembly and material item methods of estimating.

MORE THAN ONE COMPUTER

You may install Double Click on more than one (1) computer. Install copies on your office computer, your home computer, and/or your laptop. You may transfer files between computers using a Network, Email, or CD.

FREE PRICING SOFTWARE

With your purchase of the Double Click, you will automatically receive a FREE one year subscription to the Pricing & Labor Software. After the first year you may subscribe for pricing updates for \$325 per year. For additional details on the pricing database, turn to page 12 of this catalog.

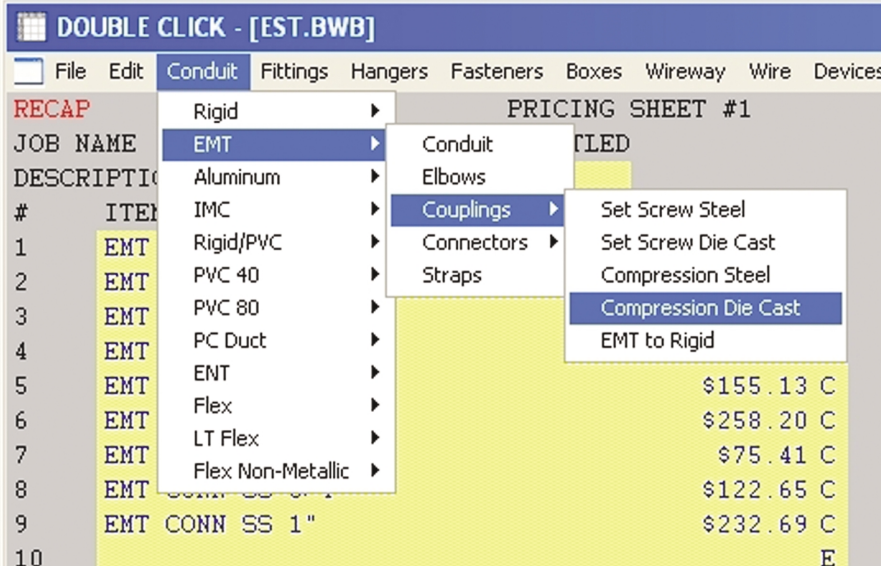


PUT AWAY THE CALCULATOR

Let Double Click perform all the math calculations for you.

PULLDOWN MENUS - NO TYPING REQUIRED

The program allows you to select material items from pulldown menus so there is no need to type in a part code. Once the desired item has been selected the material description, price, and labor unit are automatically placed on your pricing sheet. This eliminates the need to type in the material description.



LIGHTING QUOTATIONS

Input fixture prices (per each) from each lighting vendor, and the program calculates the total for each vendor then forwards the lowest quotation to the recap sheet. You may also input a lump sum price.

POWER QUOTATIONS

Simply input the power quotations from each vendor and the program forwards the lowest quotation to the recap sheet. The program is designed to take all quotations just before bid time.

MISCELLANEOUS QUOTATIONS

The program allows you to create up to eight (8) categories of miscellaneous quotations. Each category may have up to six (6) vendors.

PROJECT INFORMATION

You may list the names of the owner, architect, and engineers. You may also list the bidding documents used in the preparation of the estimate (i.e. plans and specifications).

ORDERING INFORMATION

ADDING ITEMS ON THE FLY

At any time, you may add an item not found in the database by simply typing in the description, price, and labor unit.

HARDWARE REQUIREMENTS

Double Click is a stand alone program designed to run on Windows based operating systems. The Double Click program is compatible with all Windows systems.

LIST OF OUTGOING BIDS

You may make a list of outgoing bids including the name of the company, time & date of bid, and the price quoted to each company.

AVERAGE LABOR RATE CALCULATION

Double Click will automatically calculate your average labor rate.

FREE TELEPHONE SUPPORT

Unlike our competitors who charge for support, we offer FREE SUPPORT on an ongoing basis year after year.

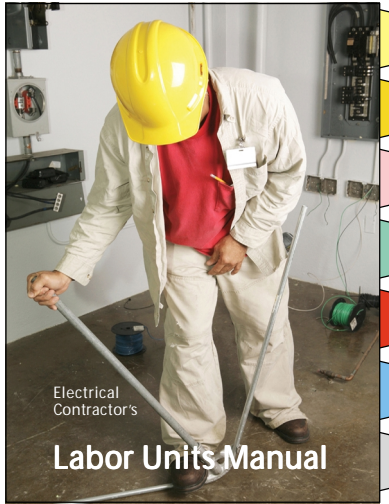


<u>DOUBLE CLICK</u>	
DC - Double Click Electrical Estimating Software	\$ 895
DCD - Double Click Demo (CD)	\$ FREE

Labor Units Manual

TAKE THE GUESSWORK OUT OF ESTIMATING

Just a touch of the fingertip accesses labor units for over 26,000 items. These labor units are realistic and competitive and will prove to be of great value to any organization. It will also provide you with realistic labor units that will help you determine how many man-hours are required for a given task. These labor units are time proven and are used by electrical contractors throughout the country.



LABOR UNITS FOR 26,000 ITEMS

The labor units in this manual were developed over a period of twenty years using actual job cost records of various contractors.

BOOK Tabbed for easy use.

CD Complete book on CD PDF file format.



BIDDING IT RIGHT!

The labor units in this manual are very competitive. This means your prices will be competitive.

DON'T LEAVE MONEY ON THE TABLE

Many electrical contractors bid work too cheaply because they do not know how to properly estimate labor hours. With the Labor Units Manual, you can bid it right the first time.

CERTIFIED ESTIMATING

The Labor Units Manual was written by Gary P. Durand, Certified Professional Estimator with the American Society of Professional Estimators. Mr. Durand has taught electrical estimating for both the National Electrical Contractors Association (NECA) and California State University San Jose.

The most complete labor manual in the industry



*** This product may be downloaded from our web site.**

www.durandassociates.com

ORDERING INFORMATION

LABOR UNITS MANUAL

L09 - Labor Units Manual (Book)	\$ 125
* LD09 - Labor Units Manual PDF File (CD)	\$ 95
LC09 - Labor Units Manual (Book & CD)	\$ 145

Design/Build Guide

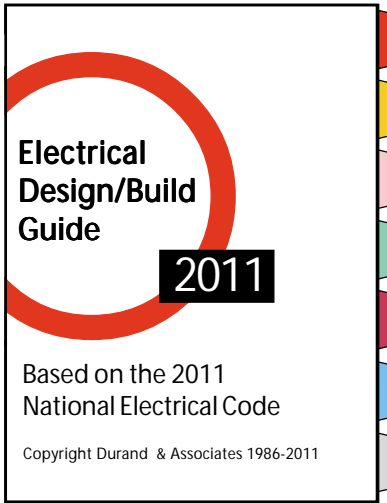
FAST & EASY DESIGN

Project planning and designing has never been easier or faster! Complicated and time consuming NEC references and calculations are all listed in an easy to read format.



SAVE TIME & MONEY

This guide will pay for itself the first time you use it. You will wonder how you got along without this valuable resource.



BOOK Tabbed for easy use.

CD Complete book on CD PDF file format.



BOOK SECTIONS INCLUDE

- Motor Schedules
- Conduit Fill
- Equipment Ground
- Conduit Sizing
- Short Circuit
- Switch Sizes
- Load Calculations
- Panel Schedules
- Fuse Sizes
- Grounding
- Transformer Schedules
- Breaker Sizing
- Voltage Drop Graphs
- Lighting Layouts

PUT AWAY YOUR CALCULATOR!

The Design/Build Guide enables the user to save countless hours in the electrical design process by illustrating tens of thousands of calculations and configurations. Just the touch of your fingertip quickly accesses over 900 motor configurations, more than 5,000 voltage drop possibilities, over 7,000 load calculations, and much, much more. Additionally, the book is tabbed for even quicker reference and is spiral bound to make it lie flat and easy to read.

DON'T JUST TAKE OUR WORD FOR IT!

Now in it's 25th year of existence and 37th printing, demand for the Design/Build Guide continues to grow larger. Throughout the world, engineers, contractors, Fortune 500 companies, government agencies and universities continue to applaud the merits of this manual.



PROPER DESIGN

There is no substitute for proper design. Poor design leads to cost overruns, delayed completion time, Code violations, and dissatisfied clients. With the Design/Build Guide you will get the design right the first time. Clients will be impressed and more likely to use your services in the future.

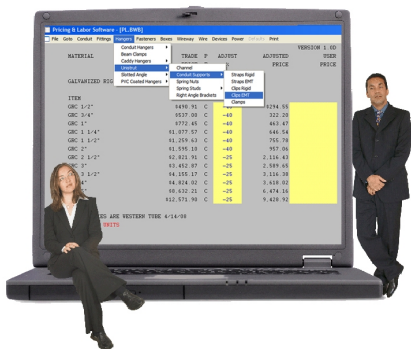
*** This product may be downloaded from our web site.**

ORDERING INFORMATION

www.durandassociates.com

ELECTRICAL DESIGN/BUILD GUIDE 2011

DB11 - Electrical Design/Build Guide (Book)	\$ 125
* DD11 - Electrical Design/Build Guide (CD)	\$ 95
DC11 - Electrical Design/Build Guide (Book & CD)	\$ 145



Pricing & Labor Software COMPUTER PRICING

With just a touch of the fingertips access over 26,000 prices and labor units.

**30 DAY
MONEY BACK
GUARANTEE**

ESTIMATE SHEET

For a small estimate or change order simply use the built-in pricing sheet to compile an estimate.

TRADE PRICES

The prices in the program are "trade prices" and are updated (via internet or CD) four (4) times per year. You may assign a discount to any price or category to arrive at an adjusted price. You may also input your actual cost for any item. The Pricing & Labor Software contains all of the items listed in the Trade Price Book. (See Page 14)

LABOR UNITS

In addition to trade prices the program also contains labor units for over 26,000 items. You may adjust these labor units up or down; or, if you wish, you may input your own labor units. The Pricing & Labor Software contains all of the labor units listed in the Labor Units Manual. (See Page 10)

PRICE UPDATES

Prices are updated four (4) times per year (December, April, August and October). Each time prices are updated, you will automatically receive a CD (or Email) with updated trade prices.

ORDERING A SUBSCRIPTION

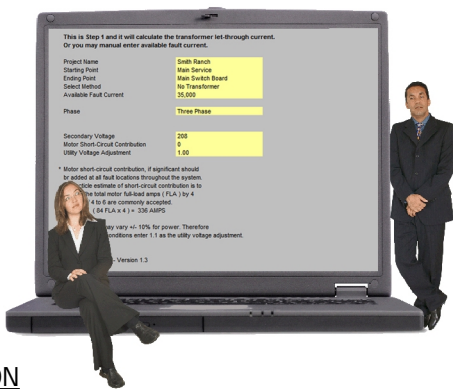
The Pricing & Labor Software is a subscription service program and may only be used by current subscribers. The cost of the service is \$325.00 per year.

PLW \$325

FEATURES

- Overcurrent Protection
- Short Circuit Calculation
- Component Protection
- Selective Coordination
- Series Combination Rating
- Fault Current
- Transformer Fault Current
- AutoCad Copy Paste

Short Circuit Software



FULL FUNCTION

This full function short circuit calculation program will help you comply with the NEC requirements.

* This product may be downloaded from our web site.

www.durandassociates.com

ORDERING INFORMATION

This program is a spreadsheet template program that runs in conjunction with Microsoft Excel for Windows.

SHORT CIRCUIT 2011

* SC11 - Short Circuit 2011 Software \$ 180

Estimating & Take-Off Forms

All forms are 8 1/2" x 11".
 65 sheets per pad.
 Price \$8.65 each.
 Order pads by number.
 Minimum order 5-pads,
 any combination.

ORDER INFORMATION

- F101 - Pricing Sheets
- F102 - Recap Sheets
- F103 - Branch Circuit Take-Off
- F104 - Conduit & Wire Take-Off
- F105 - Feeder Schedules
- F106 - Residential Estimate & Take-Off
- F107 - Job Cost Labor Sheets

You may view samples of the forms at:
www.durandassociates.com

Smart Forms 2011 (The electronic version of our standard forms.)

FEATURES

- Pricing Sheets
- Recap Sheets
- Branch Circuit Take-Off
- Conduit & Wire Take-Off
- Feeder Schedules
- Residential Estimate & Take-Off
- Job Cost Labor Sheets
- Job Cost Material Sheets

FULL FUNCTION

These full function electrical estimating forms calculate totals with 100% accuracy. Smart Forms 2011 automatically performs all calculations and provides a format consistent with good business practices.

PRINT BLANK FORMS

You may print blank or completed forms.

*** This product may be downloaded from our web site.**

www.durandassociates.com

ORDERING INFORMATION

This program is a spreadsheet template program that runs in conjunction with Microsoft Excel for Windows.

SMART FORMS 2011

* SF11 - Smart Forms 2011 Software \$ 79

Electric Math 2011

Use your computer to calculate all those complex formulas for commercial, residential, and industrial work.

FEATURES

- Voltage Drop
- Power Factor
- Transformer Sizing
- Box Fill
- Conduit Fill
- KVA, KW, AMPS, VOLTS



Phone Orders Call (208) 443-6627

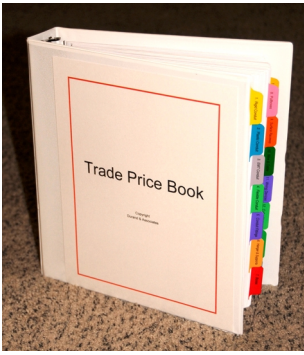
*** This product may be downloaded from our web site.**

ORDERING INFORMATION

This program is a spreadsheet template program that runs in conjunction with Microsoft Excel for Windows.

ELECTRIC MATH 2011

* EM11 - Electric Math 2011 Software \$ 79



Trade Price Book

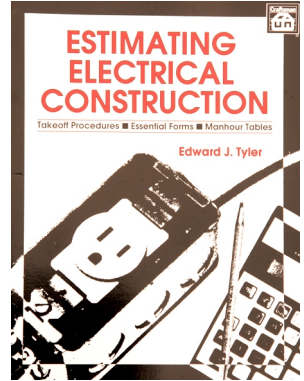
In addition to the standard contractor's prices (trade prices), this guide also lists various discount prices that are available within the industry. The Trade Price Book is updated in December, April, August and October. Each update reflects the current pricing levels at the time of publication. Included with your purchase are three additional price updates. Updated pricing sheets will be sent to you at no additional cost. After the first year, you may purchase updated pricing sheets for \$245 per year.

TPB \$ 275

Estimating Electrical Construction

A step-by-step guide to estimating electrical work, the guide walks you through the estimating process from beginning to end. Included are: bidding procedures, take off, material pricing, labor costing, specifications, change orders, and project management.

EEC \$ 65




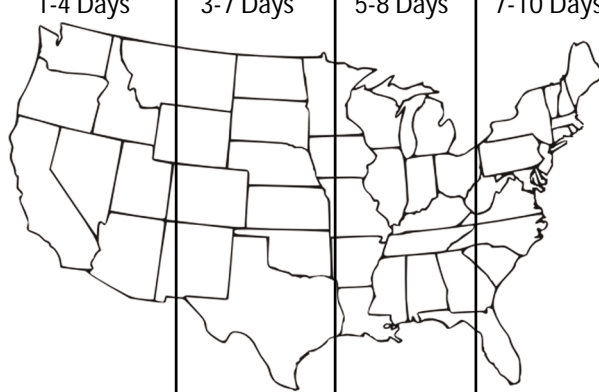
ORDER PROCESSING

**NEXT & 2ND DAY ORDERS MUST BE RECEIVED BY 10 AM PST.
ALL OTHER ORDERS ARE SHIPPED THE FOLLOWING DAY.**

SHIPPING CHARGE GROUND (\$ 10)
SECOND DAY AIR SHIPPING CHARGE (\$ 24)
NEXT DAY AIR SHIPPING CHARGE (\$ 45)

The standard method of shipment is US Mail 4th Class.
UPS ground service is available upon request.

Approximate "Working Days" Delivery Time

	1-4 Days	3-7 Days	5-8 Days	7-10 Days
 <p>7-10 Days</p>				

DURAND & ASSOCIATES
176 THREE WATERS ROAD
PRIEST LAKE, ID 83856
Phone (208) 443-6627
Fax (208) 443-6629



RETURN POLICY

You may return any book and the Pricing & Labor Software to our office within 30 days of the shipment date for a full refund, less shipping and handling charges. All sales of Estimating Forms and Software Products are final and may not be returned for a refund.

ORDER FORM - J11

Fax (208) 443-6629

Phone (208) 443-6627

COMPANY NAME _____

ADDRESS _____

CITY _____ STATE _____ ZIP _____

PHONE _____

ATTENTION _____

EMAIL ADDRESS _____

ITEM	PAGE	DESCRIPTION	QTY	PRICE EA	TOTAL

SUBTOTAL \$ _____

SALES TAX (IDAHO RESIDENTS ONLY ADD 6%) \$ _____

SHIPPING CHARGES - Ground \$10, 2-Day \$24, Next Day \$45 \$ _____
(Download & Email delivery at no extra charge)

TOTAL \$ _____

CHECK OR PO ENCLOSED

VISA MASTERCARD

AMX DISCOVER

**MAIL ORDERS TO
DURAND & ASSOCIATES
176 THREE WATERS ROAD
PRIEST LAKE, ID 83856**

SORRY NO COD ORDERS

NAME _____

CARD # _____

EXP. DATE _____

SIGNED _____



PRESORTED
STANDARD
US POSTAGE PAID
STEVENS POINT, WI
PERMIT #56

Durand & Associates
176 Three Waters Road, Priest Lake, ID 83856

Phone (208) 443-6627
www.durandassociates.com

